

8.5-10 t

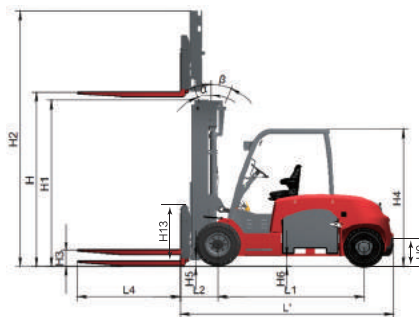
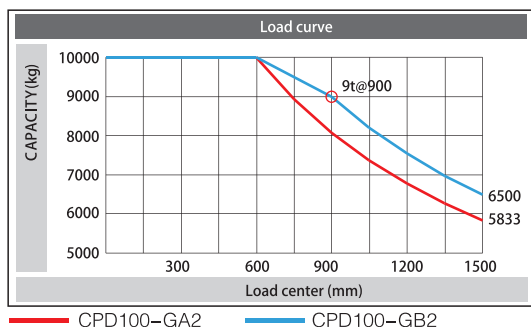
G series battery powered counterbalanced forklift truck



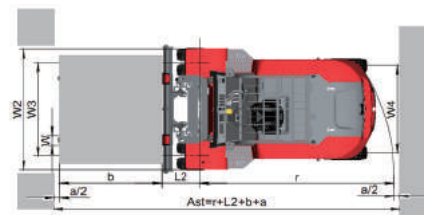
- > **High reliability and stability** Mature and reliable, excellent performance of imported core components; Maintenance free wet braking.
- > **Active safety** Active slowing down, braking and parking in faulty; Intelligent speed-limiting when turning; OPS system.
- > **High efficiency and energy-saving** Small body more suitable for narrow space; Auto hold; Battery lateral-side shoveling, easier to operate ;Energy-saving type hydraulic system. Electric-hydraulic braking; Fully hydraulic steering systems with Electronic Follow Up unit; Cycle cooling system based on intelligent multi point temperature control.
- > **Comfortable** Imported silent gear pump; Fully suspension operator's seat; Excellent front and rear view.
- > **Maintenance conveniency** Automatic water replenishment battery; Interlocking vehicle fast charging interface.

Manufacturer's Data and Design Characteristics

character						
1.01	manufacturer				HELI	
1.02	model			CPD85	CPD100	
1.03	configuration number			CA2	GA2	GB2
1.04	rated capacity	Q	kg	8500	10000	
1.05	load center distance	c	mm	600	600	600 ¹⁾
1.06	power mode				Battery	
1.07	driving mode				Seated	
1.08	wheel base	L1	mm	2400	2580	
tyre						
2.01	tyre type				Solid tyre	
2.02	wheel number (front/rear)				4 × /2	
2.03	wheel base (front/rear)	W3/W4	mm		1636/1524	
2.04	tyre (front/rear)				8.25-15/250-15	
size						
3.01	front overhang	L2	mm		660	
3.02	mast tilt angle (front/rear)	α/β	°		6/9	
3.03	Max.lifting height	H	mm		3000	
3.04	overhead guard height	H4	mm		2445	
3.05	Mast height, lowered	H1	mm	2700	2850	2950
3.06	fork size (thickness × with × length)	T × W × L4	mm	85 × 175 × 1370	85 × 175 × 1370	85 × 175 × 1820
3.07	truck body length (fork excluded)	L'	mm	3580	3760	
3.08	truck body width	W2	mm		2116	
3.09	turing radius	r	mm	3140	3320	
3.10	clearance between mast and ground (loaded/unloaded)	H5	mm		130/150	
3.11	clearance between wheel base center and ground (loaded/unloaded)	H6	mm		170/180	
3.12	right angle stacking aisle width (pallet 1000 × 1200mm, clearance 200mm)	Ast	mm	5000	5180	5180
3.13	right angle stacking aisle width (pallet 800 × 1200mm, clearance 200mm)	Ast	mm	5250	5380	5380
performance						
4.01	travelling speed (loaded/unloaded)		km/h	14/16	13/15	
4.02	lifting speed (loaded/unloaded)		m/s	0.30/0.37	0.245/0.335	
4.02	lowering speed (loaded/unloaded)		m/s		0.42/0.38	
4.03	gradeability (loaded)		%		15	
4.04	Max.traction force (loaded)		kN	35	45	
motor and controller						
5.01	(S2-60min) driving motor power (S2-60min)		kW		AC 17.1 × 2	
5.02	(S3-15%) lifting motor power (S3-15%)		kW		AC 26.5 × 2	
5.03	(S3-15%) braking motor power (S3-15%)		kW		AC 5	
5.04	drive motor controlling mode				MOSFET/AC	
5.05	lifting motor controlling mode				MOSFET/AC	
5.06	braking motor controlling mode				MOSFET/AC	
weight						
6.01	total weight (with/without battery)		kg	12600/9600	13200/9880	14160/10840
battery						
7.01	battery voltage/capacity K _S		V/Ah	80/1120(Optional 1240)	80/1240	(Optional 1400, 1550)



Ast: Right angle stacking aisle width
 a: Clearance
 b: Load Length



HELI

Este documento PDF ha sido editado con Icecream PDF Editor.
 Actualice a PRO para eliminar la marca de agua.

info@sumicarelevacion.com